



art metal

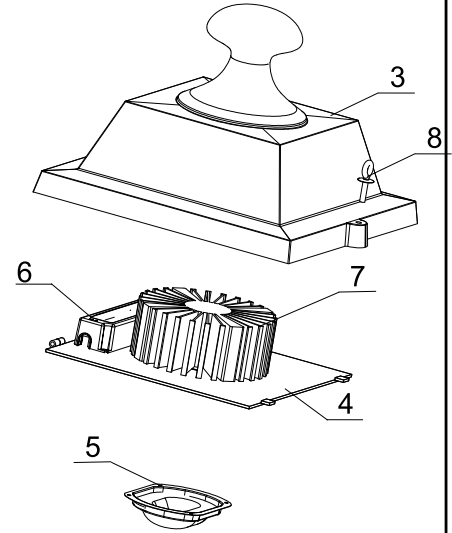
40 LUNA M LED

F.P.H. Art Metal Sp.j.

Ul. Jabłoniowa 124, 83-331 Łapino Kartuskie, Poland
Tel. 0048 58 681 80 78, Fax: 0048 58 681 80 64
www.art-metal.pl e-mail: biuro@art-metal.pl

Construcion:

The unit consists of a metal basket (1) holding a shade (2). A disk (4) separating electrical compartment from lighting compartment is attached to a luminary cover (3) on the top. A LED light source radiator (7) is mounted to the disk (4). LED module is mounted to the radiator (7) a tightly closed with a lens (5). Module is powered with a power supply (6). The luminary cover (3) is mounted to the luminary body (1) with a hinge and closed with a screw so no additional tools are necessary. The luminary is sealed with a gasket (8).

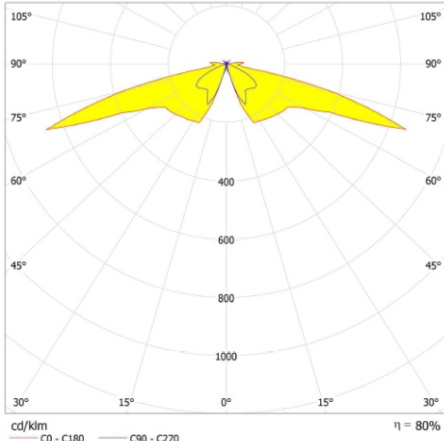


Mounting instruction:

- *)- Put the shade (2) into the basket (1)
- *)- Screw the radiator (7) to mount an LED light source to the disk (4)
- *)- Connect the electrical cables to the terminals of power supply (6)
- Screw tightly disk (4) to the luminary body (1)
- Close the cover using hand.
- Luminary is mounted to the lantern depending on the pole construction - either hanging on M20 thread or mounted on the top of the pole on $\varnothing 45\text{-}\varnothing 90$ diameter.

If any lantern elements are supplied factory-mounted, the mounting stages marked with *) should be omitted (as this has already been done by the manufacturer).

TECHNICAL DATA:



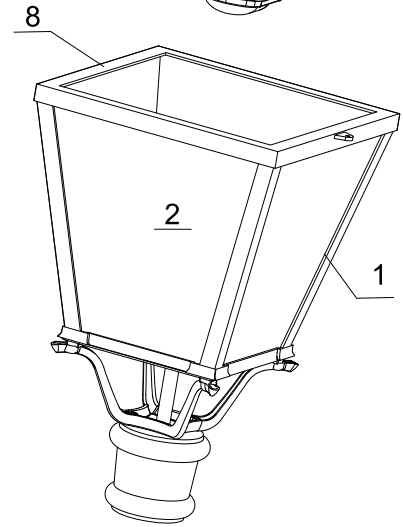
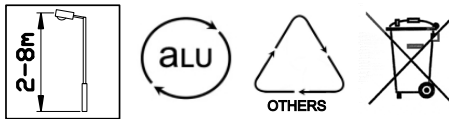
Photometry (polar plot)

Power: ~230/50Hz

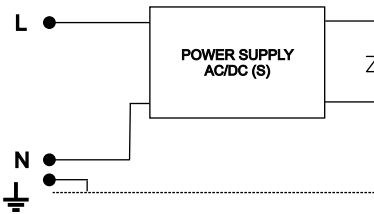
Protective class: I

IP65 -electrical part

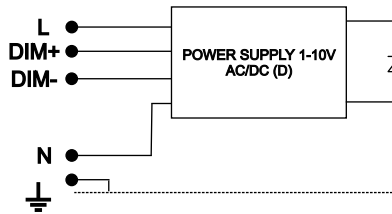
IP65 -optical part



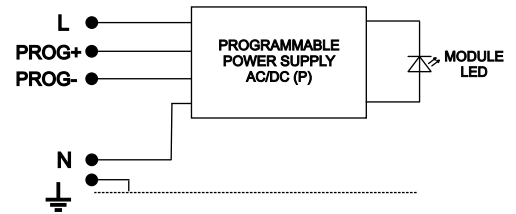
ELECTRICAL DIAGRAMS:



1. Module LED -basic power supply (S)



2. Module LED -dimnable power supply (D)



3. Module LED -programmable power supply (P)

Type	Light-prod. element	Luminous flux [lm]		Weight [kg]	Pn [W]	Luminary dimensions
		3000K (830)	4000K (840)			
40L-22W	CMA2550	2990	3170	7,9	22	 Wind area A = 0,15m ² L/H/B 525/335/335
40L-33W	CMA2550	4286	4609	7,9	33	
40L-38W	CMA2550	4842	5207	7,9	38	

WARNING !! The weight of the unit may slightly differ for individual production batches.

