



art metal

37 JUPITER K LED

F.P.H. Art Metal Sp.j.

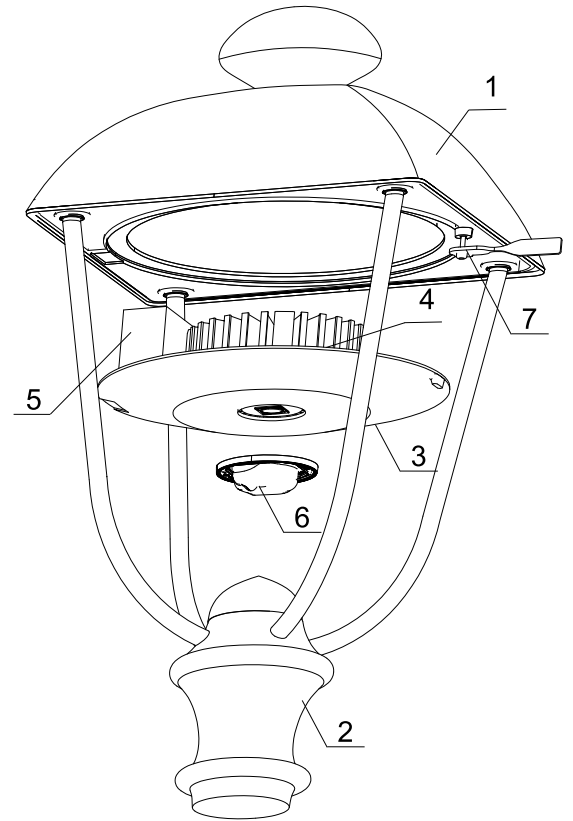
Ul. Jabłoniowa 124, 83-331 Łapino Kartuskie, Poland
Tel. 0048 58 681 80 78, Fax: 0048 58 681 80 64
www.art-metal.pl e-mail: biuro@art-metal.pl

Construcion:

The unit consists of aluminum body (1), located centrally above the mounting to the pole (2). The radiator (4) with LED module and power supply (5) is mounted with the disk (3) inside the luminary body (1). LED module is tightly closed with silicone lens (6). The disk (3) is mounted to the body (1) with a hinge and closed with a screw (7) so no additional tools are necessary.

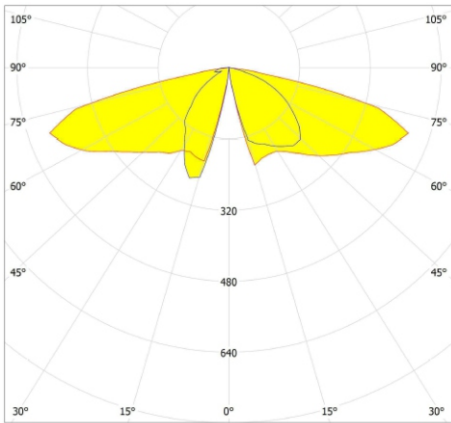
Mounting instruction:

- *) - Screw the radiator (4) with a LED module and lens (6) to the disk (3)
- Connect the electrical cables according to the marking
- Mount the disk (3) to the body (1) and secure with screw (7)
- Luminary is mounted on the top of the pole on $\varnothing 60 - \varnothing 76$ diameter.
- Place the luminary on correct position and lock with screws in pole mounting (2).



If any lantern elements are supplied factory-mounted, the mounting stages marked with *) should be omitted (as this has already been done by the manufacturer).

TECHNICAL DATA:



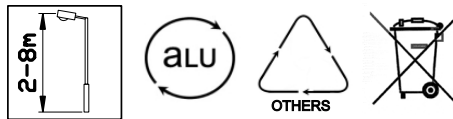
Photometry (polar plot)

Power: ~230/50Hz

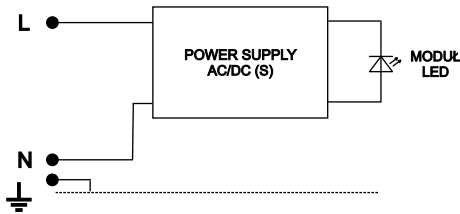
Protection class: I

IP66 -electrical part

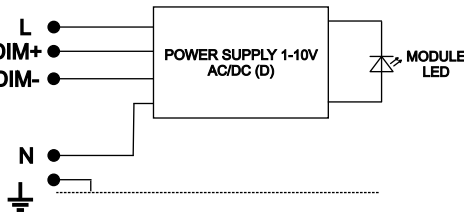
IP66 -optical part



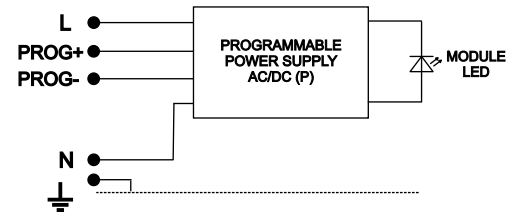
ELECTRICAL DIAGRAMS:



1. Module LED -basic power supply (S)



2. Module LED -dimnable power supply (D)



3. Module LED -programmable power supply (P)

Type	Light-prod. element	Luminous flux[lm]		Weight [kg]	Pn [W]	Luminary dimensions	
		3000K (830)	4000K (840)			L	B
37L-22W	CXB2540	2990	3170	9,5	22		
37L-33W	CMA2550	4286	4609	9,5	33		
37L-38W	CMA2550	4842	5207	9,5	38		
37L-50W	CMA2550	6131	6593	9,5	50		
37L-58W	CMA2550	6896	7415	9,5	58		

Wind area A = 0,08m² L/H/B 700/370/370

WARNING !! The weight of the unit may slightly differ for individual production batches.

