

## SŁUP WS2

### Construction:

The structure of the WS2 post consists of a mast with a diameter of  $\varnothing 101,6 \times 4$ , welded at the bottom to the mounting flange. The flange together with the mounting bolts is covered with an aluminium mask.

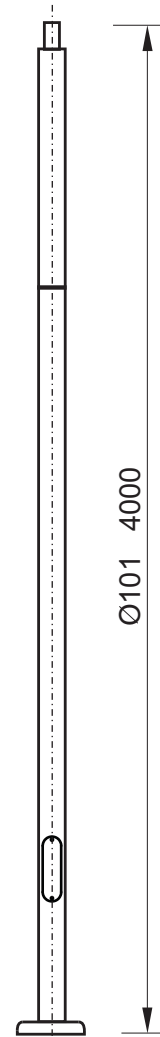
The post is fitted with an access port within which a connecting panel is mounted. The port has an access door that is closed with the help of a bolt. A mounting rack inside the port enables one to install electrical fittings.

In the case of the WL post the port has no door since it is completely covered by an aluminium mask fitted with a closing system.

The upper part of the post is a straight pipe cut at an angle of  $90^\circ$  to the axis. Where luminaires are mounted on side-mounted arms rather than at the top of the post, the tip of the post is secured with an aluminium plug.

### Anchorage:

The post should be mounted on an F100A foundation with a 150x150 spacing of four M16 mounting bolts.



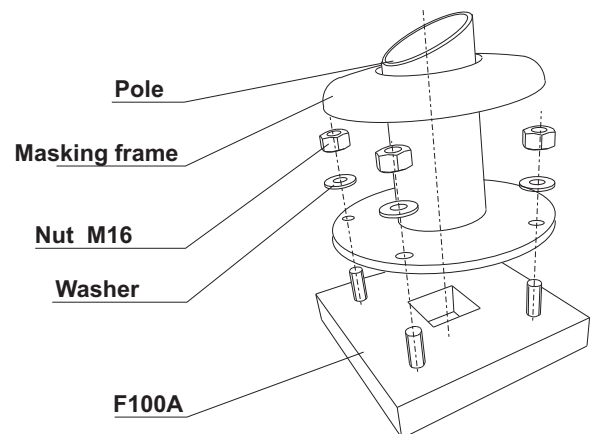
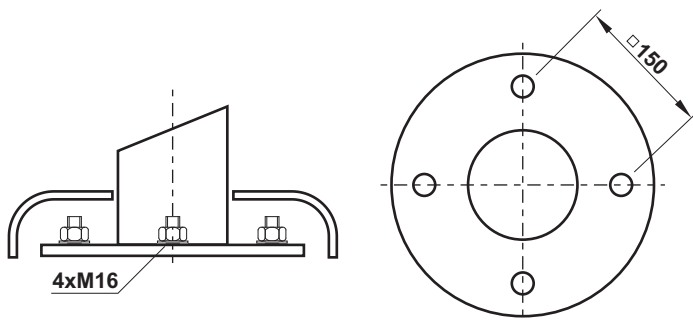
## TECHNICAL INFORMATION:

Maximum side area mounting on the top of pole are **0,7 m**.  
 (area simetrically to the pole axis).

Maximum weight on the top of pole **80 kg**.

Parameters calculated for wind area "I" (20m/s) according to PN-77/B-02011

## ANCHORAGE:



Doc.signature: S-0WS2-03

Last revision: 2006.12.05