

Producent i dystrybutor:
PRODUCENT SŁUPÓW I OPRAW OŚWIETLENIOWYCH
 FIRMA PRODUKCYJNO-HANDLOWA ART METAL Sp.j.
 83-331 PRZYJAŻŃ, ŁAPINO 34



No.1020

POLE KL

Construction:

The supporting of the KL post is built of decorative cast components that are welded or bolted together.

The post consists of a base with a cornice or bottom cornice alone, a cast pipe with decorative striations, and intermediate and closing elements. All the structural components are welded together and the points of connection are additionally secured with sealing adherent.

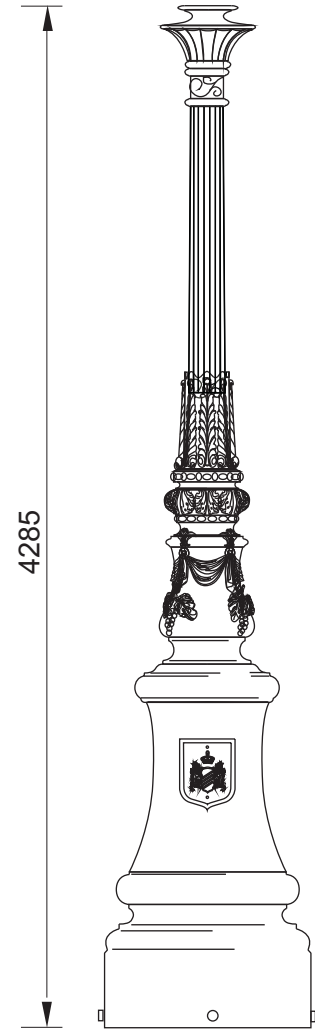
Within the post there is a supporting steel structure made from steel pipes. The base of the post is covered with a steel retaining plate.

The mounting plate is fixed onto the foundation with bolts.

The bases of these posts are fitted with a small access door closed with a bolt. A mounting rail inside the post enables one to install electrical fittings.

Anchorage:

The post should be mounted on an F100 foundation with a 190x190 mm spacing of M20 mounting bolts.



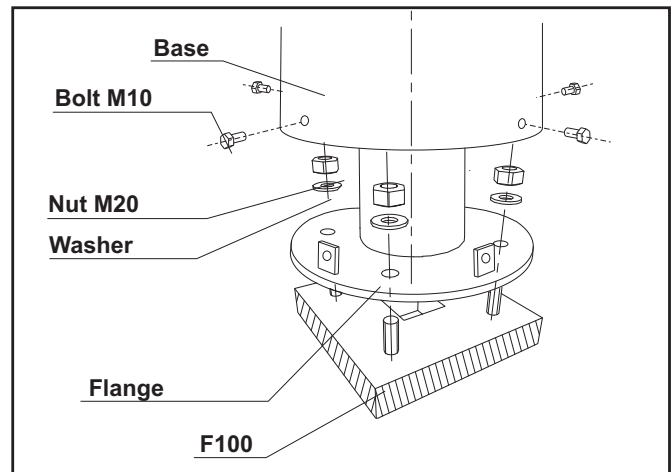
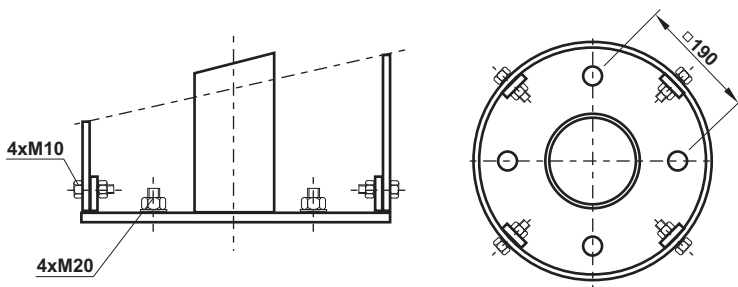
TECHNICAL INFORMATION:

Maximum side area mounting on the top of pole are **1,2 m.²**
 (area simetrically to the pole axis).

Maximum weight on the top of pole **80 kg.**

Parameters calculated for wind area "I" (22m/s) according to PN - EN 40-3-1, PN - EN 40-3-3

ANCHORAGE



Doc. Signature: S-00KL-03

Last revision: 2011.02.09

PRODUCENT SŁUPÓW I OPRAW OŚWIETLENIOWYCH
 FIRMA PRODUKCYJNO-HANDLOWA ART METAL Sp.j.
 83-331 PRZYJAŻŃ, ŁAPINO 34

TEL.: (+48 58) 681 80 78

<http://www.art-metal.pl>

FAX: (+48 58) 681 80 64

e-mail: biuro@art-metal.pl